



### **Standard Equipment and Features**

- » Heavy Duty 1/2 Horse Power Motor
- » 115 Volt
- » 10.98 Amps
- » Single Phase
- » 115/60/1
- » Gear-Driven Transmission
- » 15-Minute Timer with automatic shut-off
- » 3-Speed
- » #12 Attachment Hub
- » Safety Bowl Guard
- » Bowl Lift Safety
- » Manual Bowl Lift
- » Dough Hook
- » Wire Whip
- » Beater/Paddle
- » Stainless Steel Bowl
- » Bowl Locking Handles
- » 7-Foot Power Cord
- » Counter-Top Model
- » **Industry Leading 3-Year-Limited Parts Warranty**
- » **1-Year Full Parts and Labor Warranty**



**Built to Last . . . Priced to Save!**

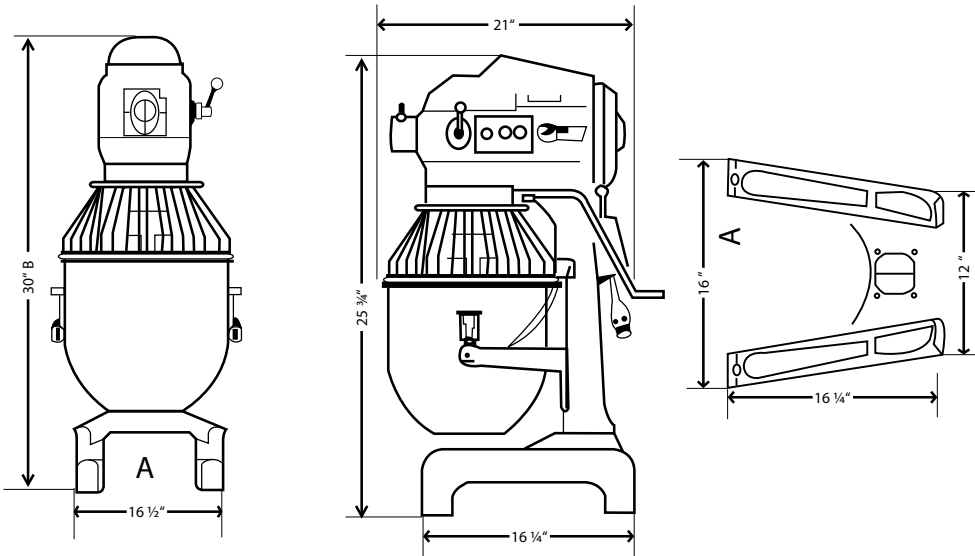
**Precision North America, Inc.**  
**60 Commerce Ave.**  
**Albany, New York 12206**



**www.precisionmixers.com • Phone: 1-877-R-MIXERS (1-877-764-9377) • Fax: 518-462-3389**



### Specifications and Dimensions



#### Electrical:

- 115 Volt
- 1-Phase Power
- Entela Approved
- 220V, 1 or 3 phase available

#### Weight:

- 216 Pounds Net
- 256 Domestic shipping

#### Warranty:

- 3-Year Limited Parts, (Motor, Transmission, and Drive-Train).
- 1-Full Year Parts and Labor.

#### Amp Draw Specifications

Phase	Volts	Amps
1	115	10.98

#### Dimensions

##### Mixer Body:

- A: 16 1/2" Wide
- B: 30" High
- C: 21" Depth

##### Bowl:

- Outside w/handles: 15 1/2"
- Inside: 12 5/8"
- Height: 11 1/2"

#### Benefits

##### Motor:

- Over-sized, Heavy-Duty, 1/2 Horse Power Motor
- Manual Reset Motor Overload

##### Bowl Locking Handles:

- Locks bowl in place

##### Attachment Hub:

- Uses standard # 12 attachments

##### Power Supply:

- 7" Length Power Cord

##### Timer:

- Automatic shutoff at desired mixing time

#### Easy Maintenance and Service National Network of Service Professionals

#### Safety features

##### Bowl Guard:

- Auto shut-off when bowl guard is opened.

##### Lift Safety:

- Auto shut-off when bowl is lowered.

Speed	Agitator RPMs	Attachment Hub RPM's
1	76	125
2	142	248
3	259	453

**NOTE:** Hub attachment not to be used while mixing

Specifications are subject to change.

**Precision North America, Inc.**  
60 Commerce Ave.  
Albany, New York 12206



**www.precisionmixers.com • Phone: 1-877-R-MIXERS (1-877-764-9377) • Fax: 518-462-3389**